

Drum cleaner TR80/100



Clean your crops with the Big Dutchman drum cleaner TR80/100

Only available at Big Dutchman Scandinavia

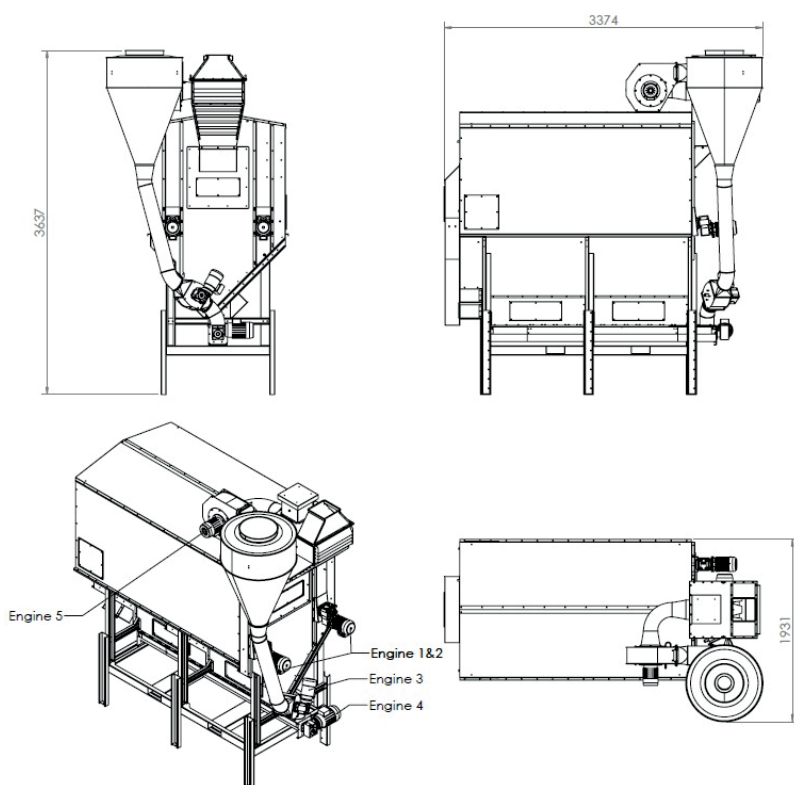
- The drum cleaner is mobile and has many mounting options
- A simple design with few moveable parts keeps maintenance costs at a minimum
- A high cleaning effect ensures better animal health
- High efficiency and capacity: up to 80 t/h barley and 100 t/h wheat
- Option for replacement of the screen, and many available screen sizes ➔ can easily be adapted to different crops



Drum cleaner TR80/100



Drawings with measurements



Technical data

Description	Size	Unit
Engine 1+2	2 x 1.5	kW
Engine 3	0.55	kW
Engine 4	1.5	kW
Engine 5	4	kW
Outer screen hole size	1.5 x 20	mm
Inner screen hole size	13 x 55	mm
Capacity	80 barley / 100 wheat	t/h
Weight (incl. engines)	Approx. 1000	kg

Design

The drum cleaner consists of a housing with an inlet to which a fan and a cyclone are mounted. A two-layer drum filters out sand and coarse particles.

Function

The crops are led through the inlet and a curtain of air, where the lighter particles are removed and separated by the cyclone.

The fan can be turned off if desired.

After passage through the air separator, the crops head into the rotating inner screen (coarsescreen), where larger particles and foreign objects such as stones, branches and straw are removed. The foreign objects are guided into the cleaning outlet. Crops and smaller particles pass through the inner screen and land on the outer screen.

The outer screen withholds the crops, while the smaller particles pass through the screen. The finer particles can be returned to the process if desired.

The drum cleaner can be mounted as an integrated part of a grain storage facility or process, but it is also mobile and can be moved between silos or used in the milling plant after harvest.

