

Dry mixer BDS-2000 & BDS-4000

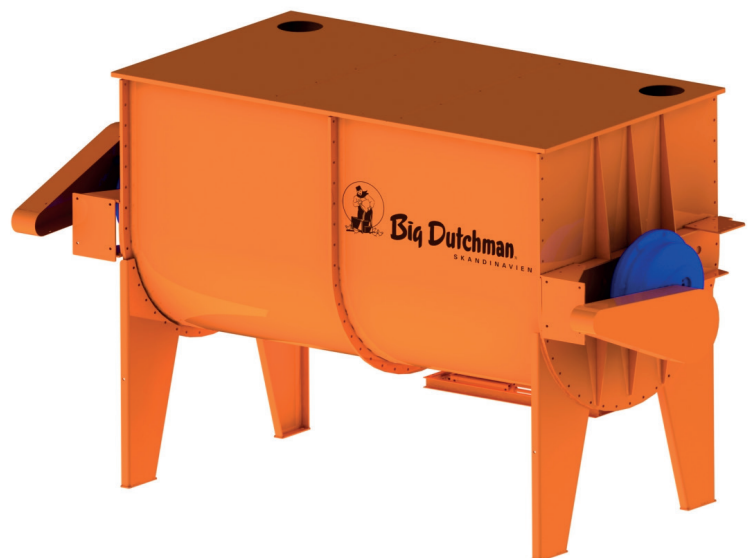


Horizontal mixers with capacities of 2000 and 4000 liters

- Has a double opposite rotating steel auger that runs along the whole length of the mixer
- The axle has a double alloy, which ensures a long life span of the steel auger
- Accurate mixing, good mixing quality and short mixing times
- Easy maintenance through the hatches on both sides and optionally through the top
- Residue-free emptying



Dry mixer BDS-2000



Dry mixer BDS-4000

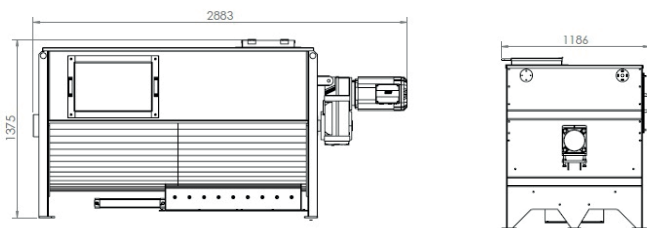


Dry mixer BDS-2000 & BDS-4000

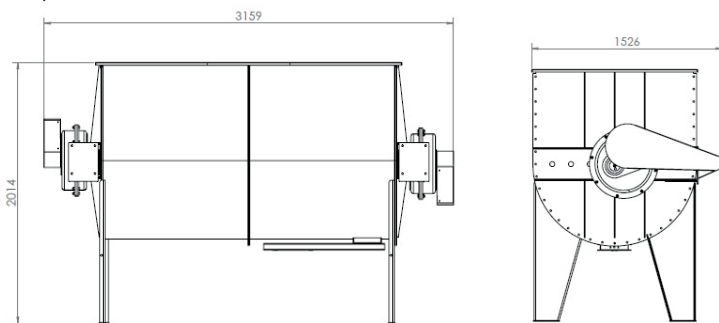


Drawings with measurements

Dry mixer BDS-2000



Dry mixer BDS-4000



Technical data

Description	BDS-2000	BDS-4000
Measurements (LxWxH), mm	2883x1186x1375	3159x1526x2014
Content liters	2000	4000
Max. batch size, kg.	1000	1950
Mixing time, min.	Approx. 4-6	4-6
Speed, auger in mixer, rpm	Approx. 16-17	Approx. 13
Engine capacity, kW	7.5	2 x 7.5

Whether there is a need for a pre and a post bin depends on the size of the mixer and the requested capacity.

Please contact us for a non-binding offer customized to your needs.

Design

Extremely versatile mixers, which can be used to mix small amounts of dry minerals and vitamins, fats and other liquid products into different types of feed.

Function

Dry mixers from Big Dutchman can mix different raw materials such as grain, soy, dry minerals, vitamins and oil. Accurate mixing of small components is ensured by the double opposite rotating mixing auger, which runs along the length of the mixing trough.

The products head to the mixer through the inlet at the top. The components are mixed when the rotating auger with its two opposing windings pushes the products against one another.

Pre and post bins

If a high capacity is needed it is possible to mount an pre and a optional post bin to the dry mixer. These bins ensure a short filling and emptying time of the mixer, resulting in shorter waiting times.

